



ANATECH ELECTRONICS INC
RF & Microwave Filters & Products

2025-2125 MHz / 2200-2300 MHz

Ceramic Duplexer

Part Number: AE2075-2250CD1202



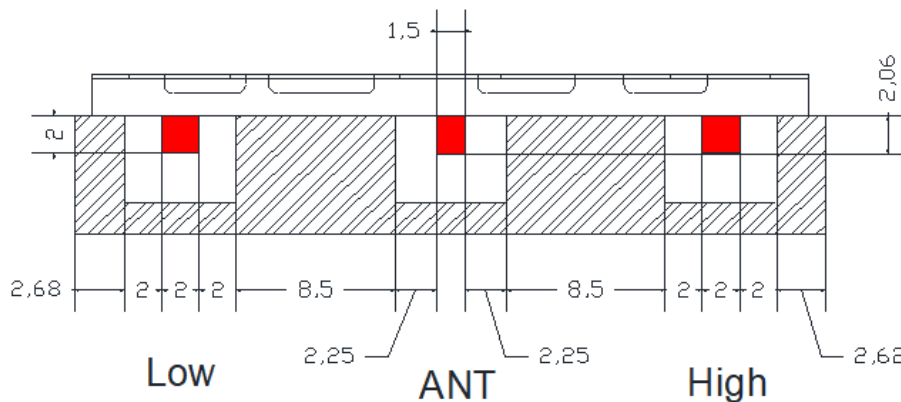
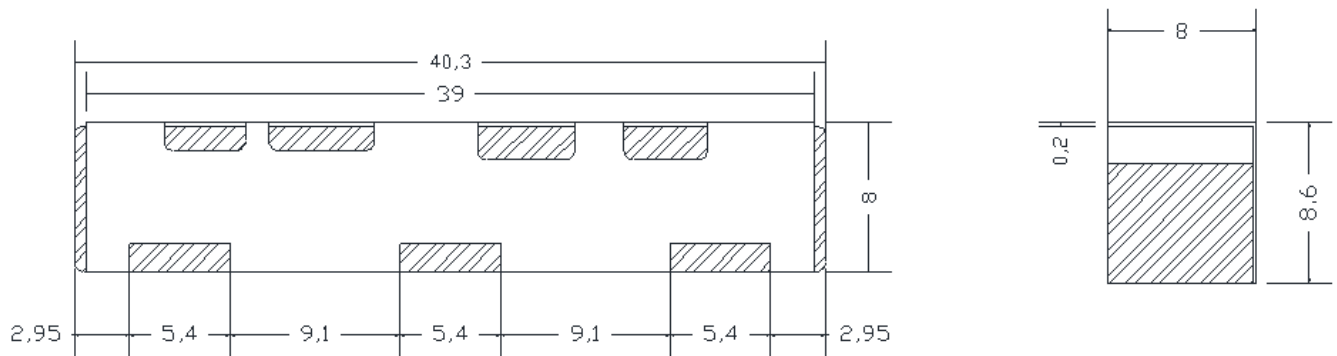
<u>Characteristics</u>	<u>Band 1</u>	<u>Band 2</u>
Center Frequency:	2075 MHz	2250 MHz
Passband:	2025-2125 MHz	2200-2300 MHz
Bandwidth:	100 MHz	100 MHz
Return Loss:	14 dB min	14 dB min
Insertion Loss:	2.0 dB max	2.0 dB max
Ripple in BW:	0.7 dB max	0.7 dB max
Input / Output Impedance:	50 Ohms	50 Ohms
Isolation:	40 dB min	40 dB min
Power Handling:	2W	2W

<u>Mechanical</u>	
Mounting Method:	SMT
Dimensions:	40.3 X 8 X 8.6 mm

<u>Environmental</u>	
Operating Temperature:	-30 to +55 deg.C
Storage Temperature:	-55 to +80 deg.C

This product is RoHs compliant.

Outline Drawing:



Unit : mm

- : I/O PORT
- : GROUND

Tolerance: +/-0.01 inches [+/-0.3mm]

Angles: +/-1 Deg.

*Tolerance as shown unless otherwise specified in the datasheet electrical specification tables above.

*When max dimensions are called out the above tolerances do not apply as long as it is under the max callout.

