

CTHCIFW3231F

Series

18 μ H

SPECIFICATIONS

*Inductance measure condition @ 100kHz, 0.1V

**Isat: Value of inductance decrease within 20%

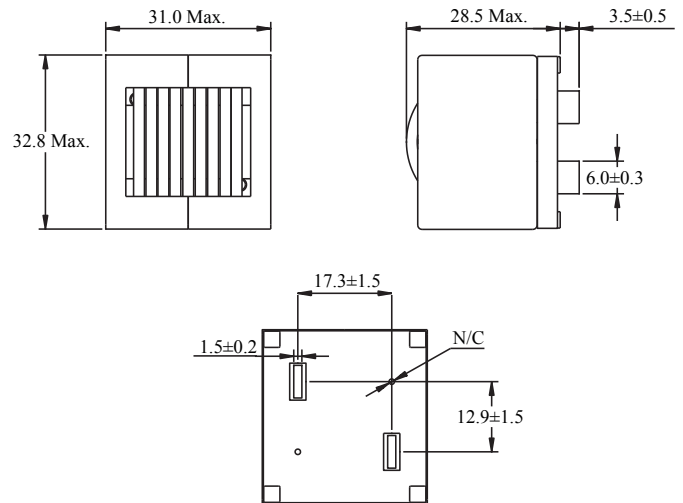
***Temp. Rise Current: Value of DC current when the temperature rise is $\Delta T40^{\circ}\text{C}$ ($T_a=25^{\circ}\text{C}$)

Part Number	*Inductance $\pm 20\%$ (μH)	DCR Typ. (Max.) ($\text{m}\Omega$)	**Isat Typ. (A)	***Temperature Rise Current Typ. (A)
CTHCIFW3231F-180M	18.0	1.43(1.72)	43.0	45.0



PHYSICAL DIMENSIONS

Unit: mm



CHARACTERISTICS

Description: High current power inductors

Features:

- Sturdy structure
- Powdered iron alloy core technology provides stable inductance and saturation over operating temperature with satisfactory core losses.
- Hot dipped Sn plating provides low risk of whisker growth.
- Flat wire winding, achieve a low D.C. Resistance
- Semi-shielded design

Applications: Medical equipment, industrial control, new energy, etc.

Operating Temperature: -55 $^{\circ}\text{C}$ to +150 $^{\circ}\text{C}$ (including coil's temperature rise)

Inductance tolerance: $\pm 20\%$

Marking: Parts marked with inductance code

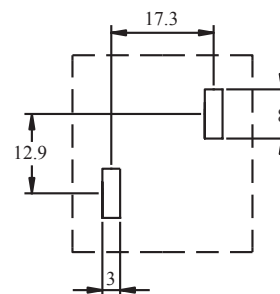
Packaging: Tray packaging

Miscellaneous: **RoHS Compliant**

Samples Available: See website for ordering information

RECOMMENDED PC BOARD LAYOUT

Unit: mm



SATURATION CURRENT VS. TEMPERATURE RISE CURRENT CURVE

